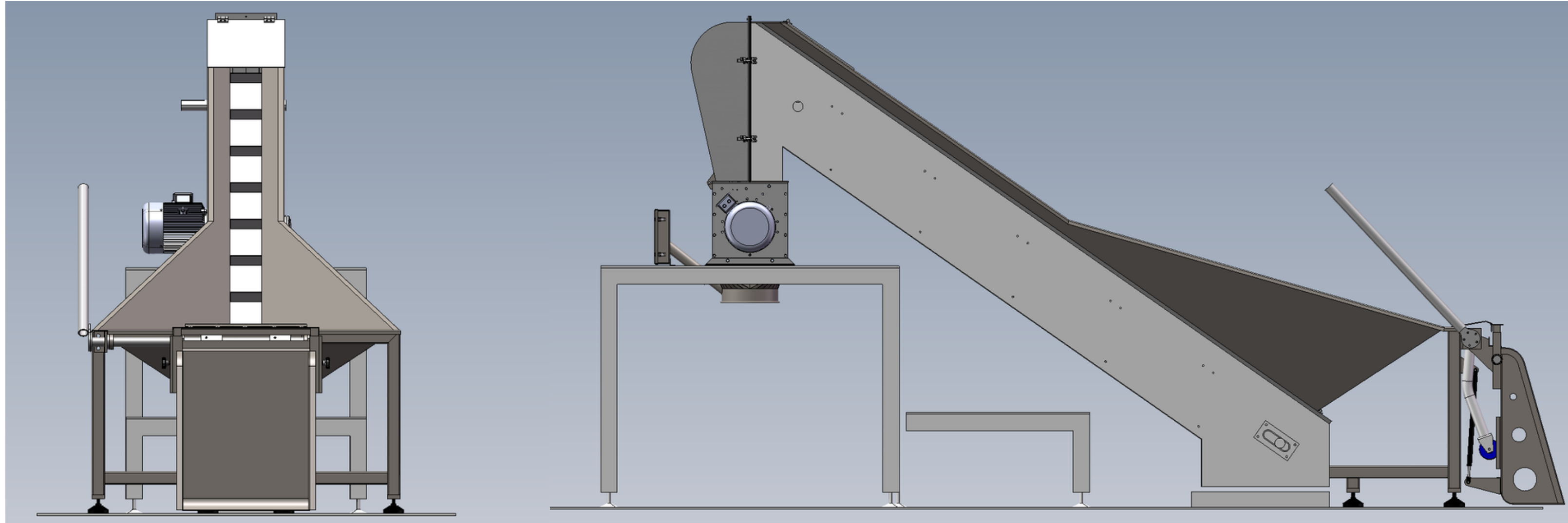


AFSMini

INDUSTRIAL CRUSHER

WATCH VIDEO



Designed in New Zealand

AUTO FEED INDUSTRIAL GLASS BOTTLE CRUSHER 2T/PH

SPECIFICATIONS

Width: 1571mm (62")

Height: 2277mm (90")

Depth: 4246mm (167")

Weight: 2T (2.2USt)

Reduction: 10:1 max

Bi-Product: Sand / Cullet

Noise: Industrial

Cullet: Conversion Kit

Motor: 3.0kw

Power: 380-440v 50/60hz

Bin: 1cbm / 2T max (4000 beer)

Operators: 1-2

Warranty: 12 months

CONSUMABLES

Bottom Screen | 100-150T

Hammer Set | 200-300T

Top Safety Shroud | 450T

Liner Plates | 1000T

LVSCREEN DISTRIBUTION

Deck 1: >3.4mm 10%

Deck 2: 3.4mm - 1.7mm 25%

Deck 3: 1.7mm - 1.1mm 20%

Deck 4: 1.1mm - 0.4mm 30%

Deck 5: < 0.4mm 15%